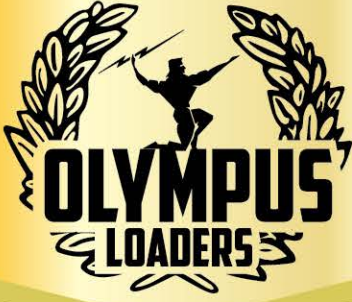


*Evolved from the rest,  
to compete with the best!*



# FS400R



## NEW FARM SERIES



# ARTICULATED WHEEL LOADERS

### High Power

- Long wheelbase with large breakout force and traction force
- Cummins 6BT5.9-C180 engine with 127kw (180Hp)
- Reinforced drive system
- HungZhou Advanced Transmission

### Comfort & Convenience

- Enlarged cabin space
- Low noise, shock-absorbed and dust-proof cab
- Rear opening engine hood, for easy maintenance
- Pilot control Joystick
- High volume air conditioned pressurised cabin
- Automatic bucket levelling

### Reliability & Durability

- Upgraded hydraulic system
- New design electrical system
- Optimal designed structural components

### Safety

- ROPS cab
- External self cleaning disk braking system
- Luxurious operating environment

### Energy Saving & Green Initiative

- Low fuel and energy consumption
- Low noise



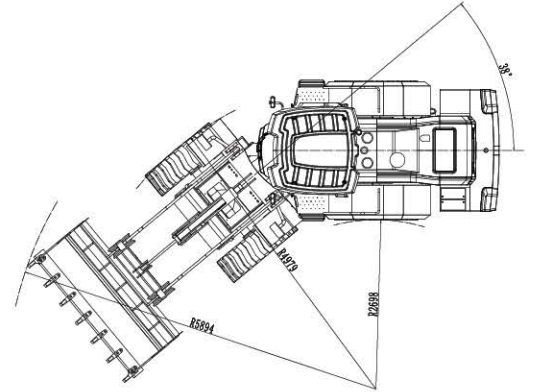
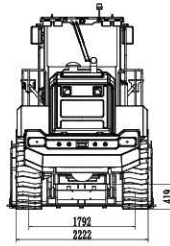
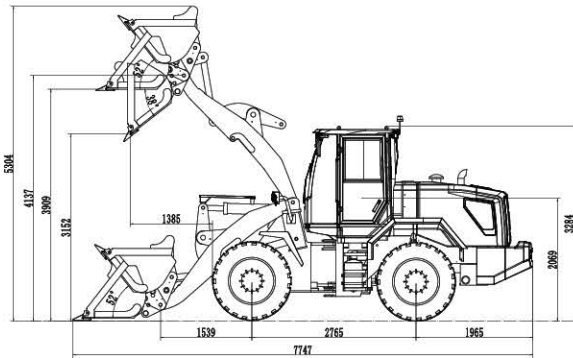
PH: 1800 566 080

WWW.OLYMPUSLOADERS.COM.AU



# FS400R

## NEW FARM SERIES ARTICULATED WHEEL LOADERS



### SPECIFICATIONS

Overall Weight	12,000kg
LxWxH (mm)	7050 x 2430 x 3200
Rated Bucket capacity (m <sup>3</sup> )	2.4m <sup>3</sup>
Lift Capacity (kg)	4000
Max. Dump Height (mm)	3800
Bucket Indicator	Auto Bucket Leveling

### ENGINE

Model	Cummins 6BT5.9-C180
Type	Vertical Inline, Water Cooling Four Stroke Turbo Diesel
Rated Power (kw)	127kw (180HP)
Rated Speed (r/min)	2400

### TRANSMISSION SYSTEM

Model	HungZhou Advanced
Gearbox Type	Electronic Powershift
Gear Shift	4 Forward, 4 Reverse

### MAIN HYDRAULIC SYSTEM

Working Pressure	18mpa
Boom Lifting Time	4.8sec
Fuel Tank Capacity	200Lt

### STEERING SYSTEM

Type	Load Sensing Hydraulic Steering
Min Turn Radius (mm)	6000

### TYRES

Standard Tyres	20.5-25
----------------	---------

### STANDARD

Width (mm)	2480
------------	------

### ROPS CERTIFIED CABIN

With its high volume Air Conditioner upgrade we have created a much better cooling system for Australia, combined with a sealed cabin it eliminates noise and dust from its working conditions. The sealed cabin has a AM/FM stereo, reversing camera, external fan, suspension seat and tilting steering wheel with warning lights for engine and transmission management.

### MODERN CONTROLS

On the dash there is bucket float control activation and all the switches for lights, windscreen washer and accessories, etc. The pilot control joy stick is smooth and light to operate giving sensitive feeling to the operation of the loader's bucket. Auto bucket to dig leveling is also standard. A large rear vision camera is fitted inside the cab for safe, easy reversing.

### BRAKING SYSTEM

Olympus models run a dry brake system combining air over hydraulic disc brakes. The disc brakes are self cleaning and are easy maintained with debris covers for protection.

Air operated hand brakes are standard in all models and are located next to the operator's seat.

### MULTI PURPOSE TOOL HANDLING

Hydraulic hitches are able to quickly change attachments; from bucket to hayspears to pallet forks within a few seconds. This is achieved from an auxiliary hydraulic function also able to run hydraulic attachments i.e., augers, 4in1 buckets, hydraulic forks etc.



### Olympus Equipment Sales

E: sales@olympusloaders.com.au  
P: Simon - 0427 744 049  
2/25-29 Riverland Drive  
Loganholme Q 4129

PH: 1800 566 080

WWW.OLYMPUSLOADERS.COM.AU