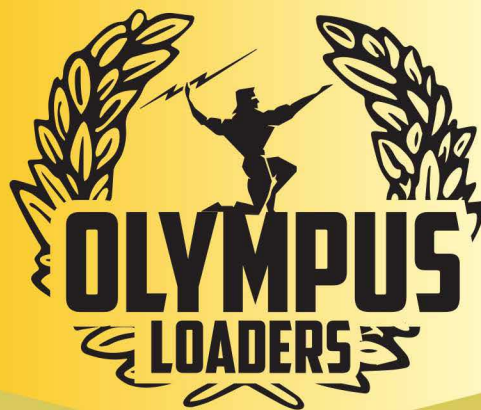


# FL927

*Evolved from the rest,  
to compete with the best!*



OR



Powered

**FARM MASTER SERIES**

## ARTICULATED WHEEL LOADERS

### High Power

- Long wheelbase with large breakout force and traction force
- Cummins or YTO engines with 75kw (110hp)
- Reinforced drive system
- Beilian Electronic Transmission

### Comfort & Convenience

- Enlarged cabin space
- Low noise, shock-absorbed and dust-proof cab
- Rear opening engine hood, for easy maintenance
- Pilot control Joystick
- High volume air conditioned pressurised cabin

### Reliability & Durability

- Upgraded hydraulic system
- New design electrical system
- Optimal designed structural components

### Safety

- ROPS cab
- External self cleaning disk braking system
- Luxurious operating environment

### Energy Saving & Green Initiative

- Low fuel and energy consumption
- Low noise

**DESIGNED  
FOR AUST**



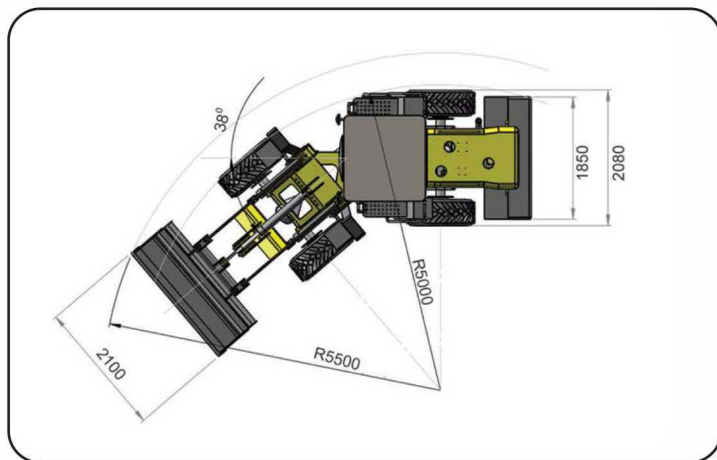
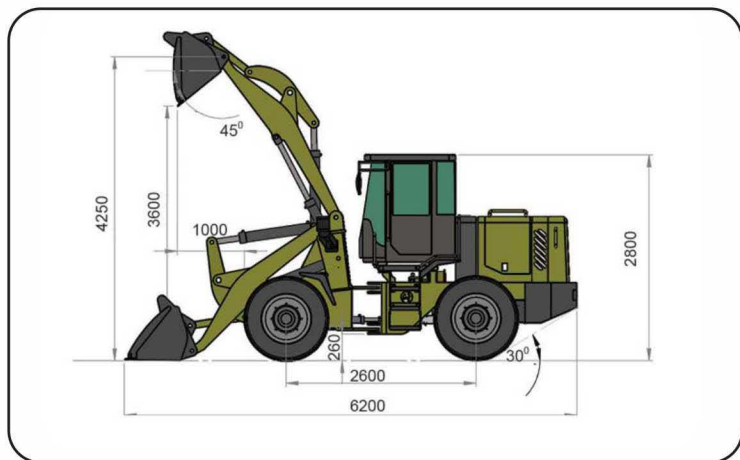
**WWW.OLYMPUSLOADERS.COM.AU**



# FL927

## FARM MASTER SERIES

### ARTICULATED WHEEL LOADERS



#### SPECIFICATIONS

Overall Weight	6,800kg
LxWxH (mm)	6200 x 2100 x 2800
Rated Bucket capacity (m <sup>3</sup> )	1.2m <sup>3</sup>
Rated Load (kg)	2700
Max. Dump Height (mm)	3600
Bucket Indicator	Yes

#### ENGINE

Model	YTO or Cummins
Type	Vertical Inline, Water Cooling Four Stroke Turbo Diesel
Rated Power (kw)	75kw (110hp)
Rated Speed (r/min)	2400

#### TRANSMISSION SYSTEM

Model	Bielian Electronic
Gearbox Type	Electronic Powershift
Gear Shift	2 Forward, 2 Reverse

#### MAIN HYDRAULIC SYSTEM

Working Pressure	16mpa
Boom Lifting Time	4.8sec
Fuel Tank Capacity	70Lt

#### STEERING SYSTEM

Type	Load Sensing Hydraulic Steering
Min Turn Radius (mm)	5000

#### TYRES

Standard Tyres	16/70-24
----------------	----------

#### STANDARD BUCKET

Width (mm)	2100
------------	------

#### ROPS CERTIFIED CABIN

With its high volume Air Conditioner upgrade we have created a much better cooling system for Australia, combined with a sealed cabin it eliminates noise and dust from its working conditions. The sealed cabin has a AM/FM stereo, reversing camera, external fan, suspension seat and tilting steering wheel with warning lights for engine and transmission management.

#### MODERN CONTROLS

On the dash there is bucket float control activation and all the switches for lights, windscreen washer and accessories, etc. The pilot control joy stick is smooth and light to operate giving sensitive feeling to the operation of the loader's bucket. Auto bucket to dig leveling is also standard. A large rear vision camera is fitted inside the cab for safe, easy reversing.

#### BRAKING SYSTEM

Olympus models run a dry brake system combining air over hydraulic disc brakes. The disc brakes are self cleaning and are easy maintained with debris covers for protection. Air operated hand brakes are standard in all models and are located next to the operator's seat.

#### MULTI PURPOSE TOOL HANDLING

Hydraulic hitches are able to quickly change attachments; from bucket to hayspears to pallet forks within a few seconds. This is achieved from an auxiliary hydraulic function also able to run hydraulic attachments i.e., augers, 4in1 buckets, hydraulic forks etc.



**Olympus Equipment Sales**  
 E: sales@olympusloaders.com.au  
 P: Simon - 0427 744 049  
 1 Chetwynd Street  
 Loganholme Q 4129